

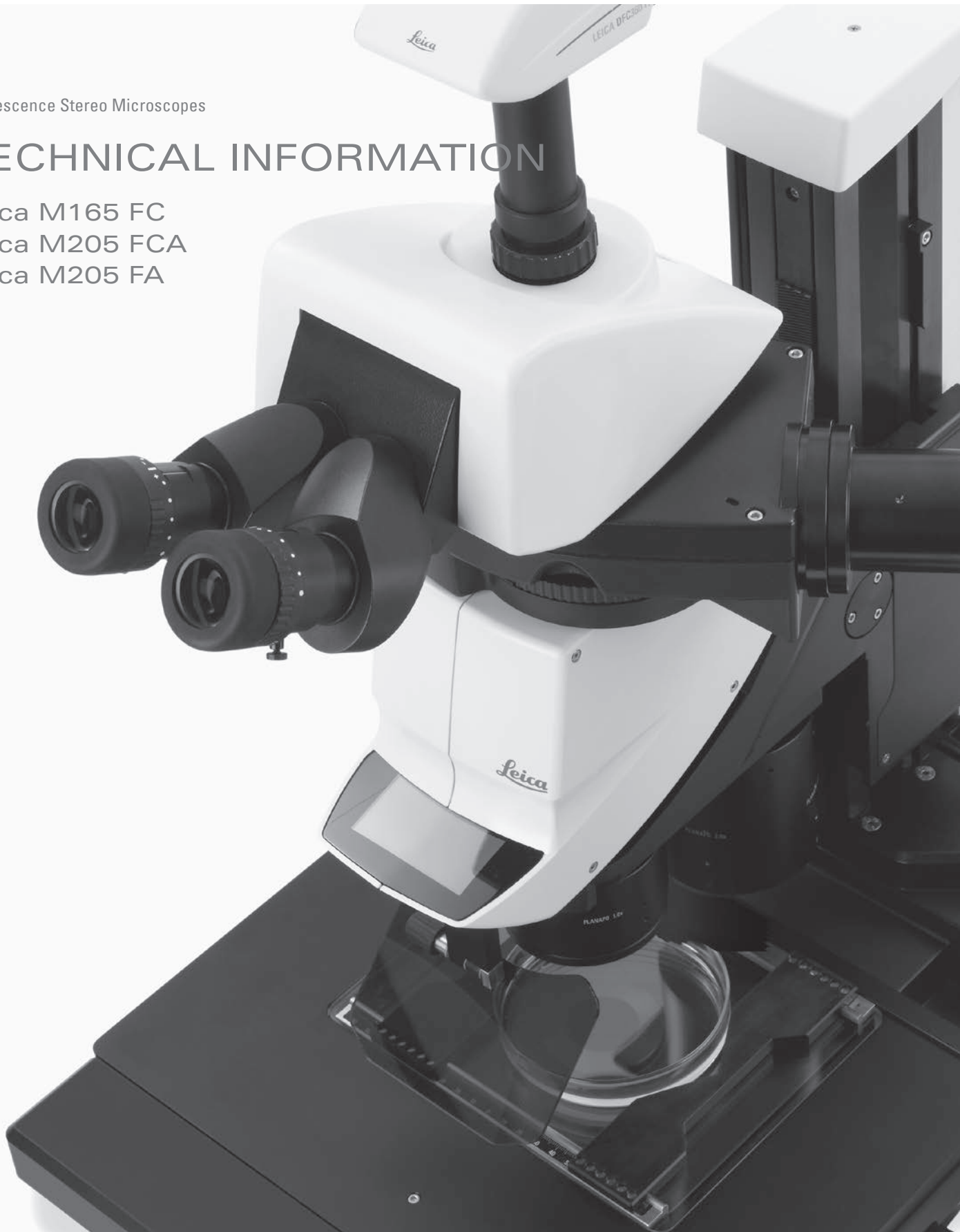
From Eye to Insight



Fluorescence Stereo Microscopes

TECHNICAL INFORMATION

Leica M165 FC
Leica M205 FCA
Leica M205 FA



PERFORMANCE CHARACTERISTICS

SPECIFICATIONS



	Leica M165 FC	Leica M205 FA	Leica M205 FCA
Optical Data			
Zoom	16.5:1 manual, coded	20.5:1 automated with FusionOptics	20.5:1 manual, coded with FusionOptics
Data with standard optics (1× objective/10× eyepieces) – Zoom range – Resolution – Working distance – Object field	7.3×–120× max. 453 lp/mm 61.5 mm (planapochromatic) ∅ 31.5 mm–1.92 mm	7.8×–160× max. 525 lp/mm 61.5 mm (planapochromatic) ∅ 29.5 mm–1.44 mm	7.8×–160× max. 525 lp/mm 61.5 mm (planapochromatic) ∅ 29.5 mm–1.44 mm
Maximum values (based on optics combination) – Magnification – Resolution – Visible structural width – Numerical aperture – Object field	960× 906 lp/mm 551 nm 0.302 ∅ 63 mm	1,280× 1,050 lp/mm 476 nm 0.35 ∅ 59 mm	1,280× 1,050 lp/mm 476 nm 0.35 ∅ 59 mm
Working distances	135 mm (0.5× planachromatic) 112 mm (0.8× planachromatic) 67 mm (0.63× planapochromatic) 61.5 mm (1× planapochromatic) 30.5 mm (1.6× planapochromatic) 20.1 mm (2× planapochromatic)		
Optics carrier			
100 % apochromatic optical system	CMO (Common Main Objective) lead-free		
Specific surface resistivity (housing)	$2 \times 10^{11} \Omega/\text{mm}^2$ discharge time <2 seconds from 1,000 V to 100 V		
Encoded/automated (M205 FA)	Zoom, iris diaphragm, objective nosepiece, filter	Zoom, iris diaphragm, objective nosepiece, FIM, filter	Zoom, iris diaphragm, objective nosepiece, filter
Engageable zoom notches	13 for repetitive tasks	14 for repetitive tasks	14 for repetitive tasks
Double-iris diaphragm for depth of field control	Built-in and coded	Built-in and motorized	Built-in and coded
FIM (Fluorescence Intensity Control)	–	Built-in and motorized	–

	Leica M165 FC	Leica M205 FA	Leica M205 FCA
Accessories			
Standard objective (parfocal in the objective nosepiece)	1× planapochromatic		
Additional objectives (parfocal in the objective nosepiece)	5× planachromat (FluoCombiIII), 2× planapochromat, 1.6× planapochromat, 0.63× planapochromat		
Additional objectives (non-parfocal)	1× planachromat, 0.8× planapochromat, 0.63× planapochromat, 0.5× planapochromat		
Interpupillary distance	50 mm – 105 mm		
Wide-field eyepieces for eyeglass wearers	10×, 16×, 25×, 40×, with replaceable eyecups & click stop		
Manual coarse/fine focussing drive with profile column 420 mm or 620 mm	Max. sample height 130 mm or 330 mm; adjustable ease of movement		
Motorized focus with profile column 420 mm or 620 mm	Max. sample height 130 mm or 330 mm; resolution 1 µm		
Computer interface	USB		

MODULAR SYSTEM

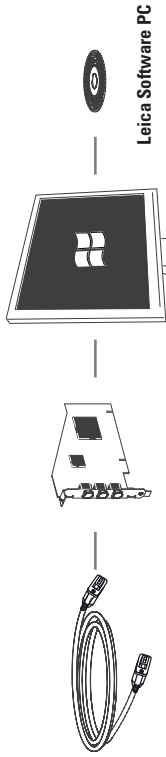
	Leica M165 FC, Leica M205 FA, and Leica M205 FCA
	Stands, illuminators
Transmitted light bases	Leica TL3000 ST: Bright field and dark field on one side - TL4000 BFDf: Bright and circular dark field – TL4000 RC / RCI: Bright field, single-sided dark field, Rottermann Contrast - TL5000 Ergo: Bright field two-sided dark field, Rottermann Contrast
Incident light bases	Large incident-light base with black-and-white stage insert and Antishock feet
Stages	Gliding stage, MATS heating stage, cup stage, rotatable polarization stage, Leica IsoPro Cross-stage (manual and motorized)
Illuminators	LED5000 SLI, LED5000 MCI and LED5000 RL, fluorescence, oblique, coaxial, cold light sources
	Misc. accessories
Photography, video	– Leica DFC digital image capture system, various camera variants – Various adapters for commercially available CCD cameras
Image archiving, image processing	Leica LAS X: Software for all fluorescence tasks Leica Application Suite (LAS): Basic version with measuring tool and many other applications, other versatile modules available
Measurement reticules	For length measurement and counting
Vertical and oblique observation	45° side view around the complete object
Drawing tube	For left and right-handed users

LEICA M165 FC OPTICAL DATA

Objectives		0.5× planachromatic		0.63× planapochromatic		0.8× planachromatic		1× planachromatic	1× planapochromatic	1.6× planapochromatic		2× planapochromatic		5× planapochromatic (in FluoCombi III)	
Working distances		135 mm		97 mm	67 mm	112 mm		59 mm	61.5 mm	30.5 mm		20.1 mm		19 mm	
Eyepieces	Zoom setting	Total magn.	Object-field Ø	Total magn.	Object-field Ø	Total magn.	Object-field Ø	Total magn.	Object-field Ø	Total magn.	Object-field Ø	Total magn.	Object-field Ø	Total magn.	Object-field Ø
		×	mm	×	mm	×	mm	×	mm	×	mm	×	mm	×	mm
10×/23B	0.73	3.65	63	4.67	49.2	5.84	39.4	7.3	31.5	11.7	19.7	14.6	15.8	29.2	1.6
	1	5	46	6.4	35.9	8	28.8	10	23	16	14.4	20	11.5	40	1.6
	1.6	8	28.8	10.2	22.5	12.8	18	16	14.4	25.6	8.98	32	7.19	64	1.6
	2	10	23	12.8	18	16	14.4	20	11.5	32	7.19	40	5.75	80	1.6
	2.5	12.5	18.4	16	14.4	20	11.5	25	9.2	40	5.75	50	4.6	100	1.6
	3.2	16	14.4	20.5	11.2	25.6	8.98	32	7.19	51.2	4.49	64	3.59	128	1.6
	4	20	11.5	25.6	8.98	32	7.19	40	5.75	64	3.59	80	2.88	160	1.44
	5	25	9.2	32	7.19	40	5.75	50	4.6	80	2.88	100	2.3	200	1.15
	6.3	31.5	7.3	40.3	5.7	50.4	4.56	63	3.65	101	2.28	126	1.83	252	0.913
	8	40	5.75	51.2	4.49	64	3.59	80	2.88	128	1.8	160	1.44	320	0.719
	10	50	4.6	64	3.59	80	2.88	100	2.3	160	1.44	200	1.15	400	0.575
	12	60	3.83	76.8	2.99	96	2.4	120	1.92	192	1.2	240	0.96	480	0.479
16×/15B	0.73	5.84	41.1	7.48	32.1	9.34	25.7	11.7	20.5	18.7	12.8	23.4	10.3	46.7	1.6
	1	8	30	10.2	23.4	12.8	18.8	16	15	25.6	9.38	32	7.5	64	1.6
	1.6	12.8	18.8	16.4	14.6	20.5	11.7	25.6	9.38	41	5.86	51.2	4.69	102	1.6
	2	16	15	20.5	11.7	25.6	9.38	32	7.5	51.2	4.69	64	3.75	128	1.6
	2.5	20	12	25.6	9.38	32	7.5	40	6	64	3.75	80	3	160	1.5
	3.2	25.6	9.38	32.8	7.32	41	5.86	51.2	4.69	81.9	2.93	102	2.34	205	1.17
	4	32	7.5	41	5.86	51.2	4.69	64	3.75	102	2.34	128	1.88	256	0.938
	5	40	6	51.2	4.69	64	3.75	80	3	128	1.88	160	1.5	320	0.75
	6.3	50.4	4.76	64.5	3.72	80.6	2.98	101	2.38	161	1.49	202	1.19	403	0.595
	8	64	3.75	81.9	2.93	102	2.34	128	1.88	205	1.17	256	0.94	512	0.469
	10	80	3	102	2.34	128	1.88	160	1.5	256	0.94	320	0.75	640	0.375
	12	96	2.5	123	1.95	154	1.56	192	1.25	307	0.78	384	0.63	768	0.313
25×/9.5B	0.73	9.13	27.4	11.7	21.4	14.6	17.1	18.3	13.7	29.2	8.56	36.5	6.85	73	1.6
	1	12.5	20	16	15.6	20	12.5	25	10	40	6.25	50	5	100	1.6
	1.6	20	12.5	25.6	9.77	32	7.81	40	6.25	64	3.91	80	3.13	160	1.56
	2	25	10	32	7.81	40	6.25	50	5	80	3.13	100	2.5	200	1.25
	2.5	31.3	8	40	6.25	50	5	62.5	4	100	2.5	125	2	250	1
	3.2	40	6.25	51.2	4.88	64	3.91	80	3.13	128	1.95	160	1.56	320	0.781
	4	50	5	64	3.91	80	3.13	100	2.5	160	1.56	200	1.25	400	0.625
	5	62.5	4	80	3.13	100	2.5	125	2	200	1.25	250	1	500	0.5
	6.3	78.8	3.17	101	2.48	126	1.98	158	1.59	252	0.99	315	0.79	630	0.397
	8	100	2.5	128	1.95	160	1.56	200	1.25	320	0.78	400	0.63	800	0.313
	10	125	2	160	1.56	200	1.25	250	1	400	0.63	500	0.5	1000	0.25
	12	150	1.67	192	1.3	240	1.04	300	0.83	480	0.52	600	0.42	1200	0.208
40×/6B	0.73	14.6	16.4	18.7	12.8	23.4	10.3	29.2	8.22	46.7	5.14	58.4	4.11	117	1.6
	1	20	12	25.6	9.38	32	7.5	40	6	64	3.75	80	3	160	1.5
	1.6	32	7.5	41	5.86	51.2	4.69	64	3.75	102	2.34	128	1.88	256	0.938
	2	40	6	51.2	4.69	64	3.75	80	3	128	1.88	160	1.5	320	0.75
	2.5	50	4.8	64	3.75	80	3	100	2.4	160	1.5	200	1.2	400	0.6
	3.2	64	3.75	81.9	2.93	102	2.34	128	1.88	205	1.17	256	0.94	512	0.469
	4	80	3	102	2.34	128	1.88	160	1.5	256	0.94	320	0.75	640	0.375
	5	100	2.4	128	1.88	160	1.5	200	1.2	320	0.75	400	0.6	800	0.3
	6.3	126	1.9	161	1.49	202	1.19	252	0.95	403	0.60	504	0.48	1008	0.238
	8	160	1.5	205	1.17	256	0.94	320	0.75	512	0.47	640	0.38	1280	0.188
	10	200	1.2	256	0.94	320	0.75	400	0.6	640	0.38	800	0.3	1600	0.15
	12	240	1	307	0.78	384	0.63	480	0.5	768	0.31	960	0.25	1920	0.125

LEICA M205 FA AND LEICA M205 FCA OPTICAL DATA

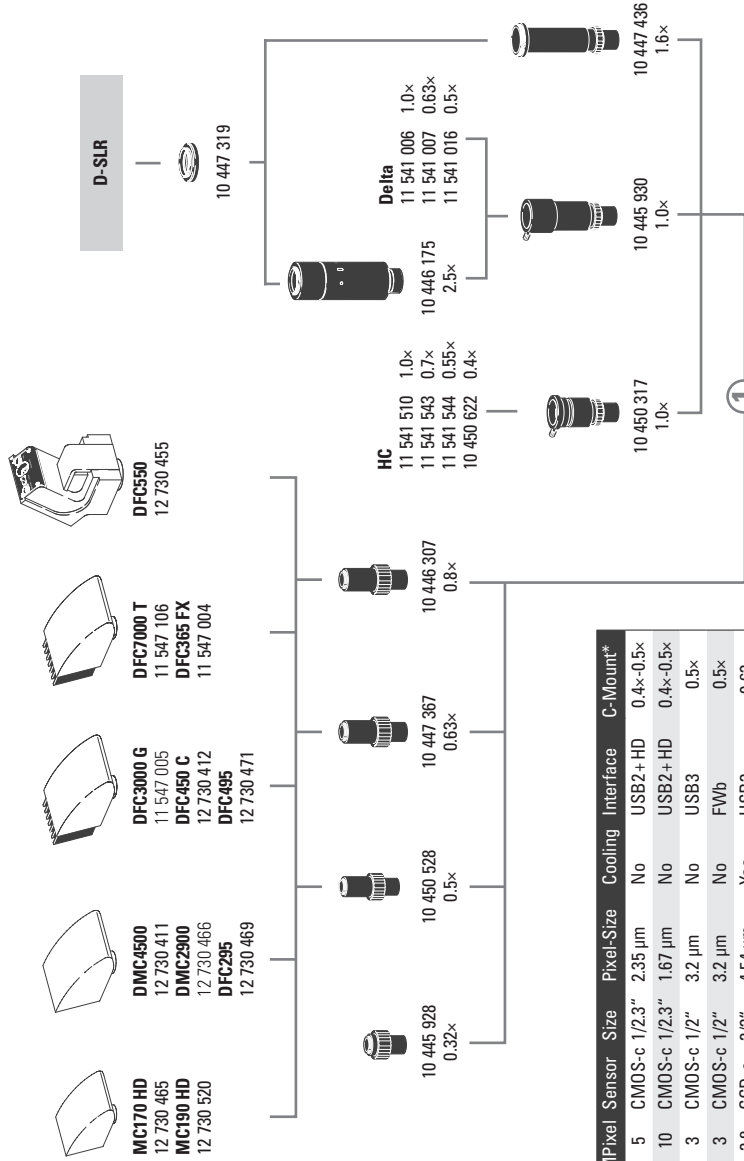
Objectives		0.5× planachromatic		0.63× planapochromatic		0.8× planachromatic		1× planachromatic	1× planapochromatic	1.6× planapochromatic		2× planapochromatic	
Working Distances		135 mm		97 mm	67 mm	112 mm		59 mm	615 mm	305 mm		20.1 mm	
Eyepieces	Zoom setting	Total mag.	Object-field Ø	Total mag.	Object-field Ø	Total mag.	Object-field Ø	Total mag.	Object-field Ø	Total mag.	Object-field Ø	Total mag.	Object-field Ø
		×	mm	×	mm	×	mm	×	mm	×	mm	×	mm
10×/23B	0.78	3.9	59	4.99	46.1	6.24	36.9	7.8	29.5	12.5	18.4	15.6	14.7
	1	5	46	6.4	35.9	8	28.8	10	23	16	14.4	20	11.5
	1.6	8	28.8	10.2	22.5	12.8	18	16	14.4	25.6	8.98	32	7.19
	2	10	23	12.8	18	16	14.4	20	11.5	32	7.19	40	5.75
	2.5	12.5	18.4	16	14.4	20	11.5	25	9.2	40	5.75	50	4.6
	4	20	11.5	25.6	8.98	32	7.19	40	5.75	64	3.59	80	2.88
	5	25	9.2	32	7.19	40	5.75	50	4.6	80	2.88	100	2.3
	6.3	31.5	7.3	40.3	5.7	50.4	4.56	63	3.65	101	2.28	126	1.83
	8	40	5.75	51.2	4.49	64	3.59	80	2.88	128	1.8	160	1.44
	10	50	4.6	64	3.59	80	2.88	100	2.3	160	1.44	200	1.15
	12.5	62.5	3.68	80	2.88	100	2.3	125	1.84	200	1.15	250	0.92
	16	80	2.88	102	2.25	128	1.8	160	1.44	256	0.90	320	0.72
16×/15B	0.78	6.24	38.5	11.4	19.6	9.98	24	12.5	19.2	20	12	25	9.62
	1	8	30	16	14.0	12.8	18.8	16	15	25.6	9.38	32	7.5
	1.6	12.8	18.8	20	11.2	20.5	11.7	25.6	9.38	41	5.86	51.2	4.69
	2	16	15	25	9	25.6	9.38	32	7.5	51.2	4.69	64	3.75
	2.5	20	12	32	7	32	7.5	40	6	64	3.75	80	3
	4	32	7.5	40	5.6	51.2	4.69	64	3.75	102	2.34	128	1.88
	5	40	6	50	4.5	64	3.75	80	3	128	1.88	160	1.5
	6.3	50.4	4.76	64	3.5	80.6	2.98	101	2.38	161	1.49	202	1.19
	8	64	3.75	72	3.1	102	2.34	128	1.88	205	1.17	256	0.94
	10	80	3	80	2.8	128	1.88	160	1.5	256	0.94	320	0.75
	12.5	100	2.4	100	2.2	160	1.5	200	1.2	320	0.75	400	0.6
	16	128	1.88	126	1.8	205	1.17	256	0.94	410	0.59	512	0.47
25×/9.5B	0.78	9.75	25.6	12.5	20	15.6	16	19.5	12.8	31.2	8.01	39	6.41
	1	12.5	20	16	15.6	20	12.5	25	10	40	6.25	50	5
	1.6	20	12.5	25.6	9.77	32	7.81	40	6.25	64	3.91	80	3.13
	2	25	10	32	7.81	40	6.25	50	5	80	3.13	100	2.5
	2.5	31.3	8	40	6.25	50	5	62.5	4	100	2.5	125	2
	4	50	5	64	3.91	80	3.13	100	2.5	160	1.56	200	1.25
	5	62.5	4	80	3.13	100	2.5	125	2	200	1.25	250	1
	6.3	78.8	3.17	101	2.48	126	1.98	158	1.59	252	0.99	315	0.79
	8	100	2.5	128	1.95	160	1.56	200	1.25	320	0.78	400	0.63
	10	125	2	160	1.56	200	1.25	250	1	400	0.63	500	0.5
	12.5	156	1.6	200	1.25	250	1	313	0.8	500	0.5	625	0.4
	16	200	1.25	256	0.98	25	9.62	400	0.63	640	0.39	800	0.31
40×/6B	0.78	15.6	15.4	20	12	25	9.62	31.2	7.69	49.9	4.81	62.4	3.85
	1	20	12	25.6	9.38	32	7.5	40	6	64	3.75	80	3
	1.6	32	7.5	41	5.86	51.2	4.69	64	3.75	102	2.34	128	1.88
	2	40	6	51.2	4.69	64	3.75	80	3	128	1.88	160	1.5
	2.5	50	4.8	64	3.75	80	3	100	2.4	160	1.5	200	1.2
	4	80	3	102	2.34	128	1.88	160	1.5	256	0.94	320	0.75
	5	100	2.4	128	1.88	160	1.5	200	1.2	320	0.75	400	0.6
	6.3	126	1.9	161	1.49	202	1.19	252	0.95	403	0.60	504	0.48
	8	160	1.5	205	1.17	256	0.94	320	0.75	512	0.47	640	0.38
	10	200	1.2	256	0.94	320	0.75	400	0.6	640	0.38	800	0.3
	12.5	250	0.96	320	0.75	400	0.6	500	0.48	800	0.3	1000	0.24
	16	320	0.75	410	0.59	512	0.47	640	0.38	1024	0.23	1280	0.19



Cables
 11 600 269, FW-b-b
 11 600 254, FW-a-b
 12 730 211, HDMI-cable
 12 730 530, USB3-cable

PC Cards
 12 730 446, FW-b, notebook kit
 12 730 447, FW-b, PCI express
 12 730 495, USB3, PCI express

Leica Software PC



Connection to main diagram next page

Name	MPixel	Sensor	Size	Pixel-Size	Cooling	Interface	C-Mount*
MC170 HD	5	CMOS-c	1/2.3"	2.35 µm	No	USB2+ HD	0.4x-0.5x
MC190 HD	10	CMOS-c	1/2.3"	1.67 µm	No	USB2+ HD	0.4x-0.5x
DMC2900	3	CMOS-c	1/2"	3.2 µm	No	USB3	0.5x
DFC295	3	CMOS-c	1/2"	3.2 µm	No	FWb	0.5x
DFC7000 T	2.8	CCD-c	2/3"	4.54 µm	Yes	USB3	0.63x
DMC4500	5	CCD-c	2/3"	3.4 µm	No	USB3	0.63x
DFC450 C	5	CCD-c	2/3"	3.4 µm	Yes	FWb + Sync	0.5x
DFC495	8	CCD-c	2/3"	2.7 µm	Yes	FWb + Sync	0.63x
DFC550	12.5	CCD-c	2/3"	6.45 µm	Yes	FWb + Sync	0.63x
DFC3000 G	1.3	CCD-m	1/3"	3.75 µm	No	USB3+ Sync	0.35x-0.4x
DFC365 FX	1.4	CCD-m	2/3"	6.45 µm	Yes	FWb + Sync	0.7x

-c: color / -m: monochrome / * recommended

Stereo 2016/V.1

Digital camera systems

- 12 730 465 Leica MC170 HD camera kit
- 12 730 520 Leica MC190 HD camera kit
- 12 730 517 Leica DMC4500 camera kit
- 12 730 466 Leica DMC2900 camera kit
- 12 730 469 Leica DFC295 camera kit
- 12 730 412 Leica DFC450 C camera kit
- 12 730 471 Leica DFC495 camera kit
- 12 730 455 Leica DFC550 camera kit

- 11 547 005 Leica DFC3000 G camera kit
- 11 547 004 Leica DFC365 FX camera kit
- 11 547 106 Leica DFC7000 T camera kit

- 12 730 521 Leica IC90 E camera (incl. USB-cable and Leica software) not recommended for MZ10 F / M165 FC / M205 FA
- 12 730 528 Leica stand alone kit (HDMI cable, SD card, USB power supply, remote control RC3, ethernet cable) for IC90 E
- 12 730 229 Hand or foot switch with 2 m cable for IC90 E

Digital camera system accessories

- 11 600 269 FireWire cable, FW-b-b, 2.5 m, 9-pin to 9-pin
- 11 600 254 FireWire cable, FW-a-b, 2.5 m, 6-pin to 9-pin
- 12 730 211 HDMI-cable, 3 m, HDMI 2x standard-A
- 12 730 530 USB3-cable, 3 m standard-A to micro-B
- 12 730 446 FW-b, notebook kit (includes PCcard express, power supply: 100-240 V, 24 W, adapter FW-b-a)
- 12 730 447 FW-b, PCI express card
- 12 730 495 USB3, PCI express card

Phototubes and C-mounts

- 10 447 319 Adapter T2, Canon EOS
- 10 447 436 1.6x DSLR tube with T2 thread (APS-C sensor)
- 10 446 175 2.5x DSLR tube with T2 thread (24x36 mm sensor)
- 10 445 928 0.32x video objective with C-mount for 1/3" digital cameras
- 10 450 528 0.5x video objective with C-mount for 1/2" digital cameras
- 10 447 367 0.63x video objective with C-mount for 2/3" digital cameras
- 10 446 307 0.8x video objective with C-mount for 2/3" digital cameras
- 10 445 930 1.0x video-/photo objective
- 10 450 317 1.0x C-mount adapter for HC

Eyepieces and tubes

- 10 450 630 Wide-field eyepieces for eyeglass wearers 10x/23, distortion-free, dioptic correction, with eyecups*
- 10 450 631 Wide-field eyepieces for eyeglass wearers 16x/15, distortion-free, dioptic correction, with eyecups*
- 10 450 632 Wide-field eyepieces for eyeglass wearers 25x/9.5, distortion-free, dioptic correction, with eyecups*
- 10 450 633 Wide-field eyepieces for eyeglass wearers 40x/6, distortion-free, dioptic correction, with eyecups*
* replaceable

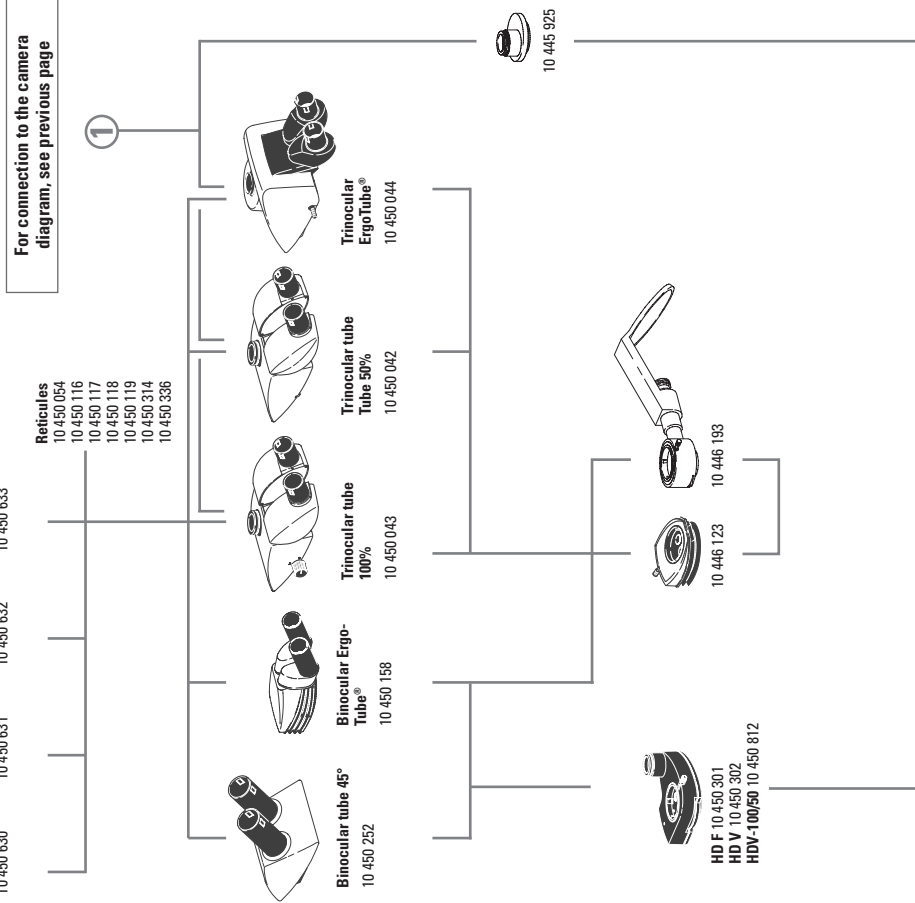
- 10 450 054 Reticule for M-series with encoding
- 10 450 116 Reticule, 5 mm / 0.05 mm
- 10 450 117 Reticule 10 mm / 0.1 mm
- 10 450 118 Graticule, 100 scale intervals / 0.001"
- 10 450 119 Reticule, crosshair
- 10 450 314 Plain glass plate with mount, with holder
- 10 450 336 Reticule 12 mm
- 10 450 252 Inclined binocular tube, 45° viewing angle
- 10 450 158 Binocular ErgoTube® with variable 10° – 50° viewing angle
- 10 450 042 Trinocular video / phototube 50%, 30° viewing angle
- 10 450 043 Trinocular video / phototube 100%, 5° – 45° viewing angle
- 10 450 044 Trinocular video / phototube 100%, 5° – 25°
- 10 446 123 ErgoWedge® 5° – 25°
- 10 450 301 Video/photo tube HD-F, 50%, 50%
- 10 450 302 Video/photo tube HD-V, 100%, 50%, 50%, 100%
- 10 445 925 Video/photo tube A
- 10 446 193 Drawing tube

Zoom systems and accessories

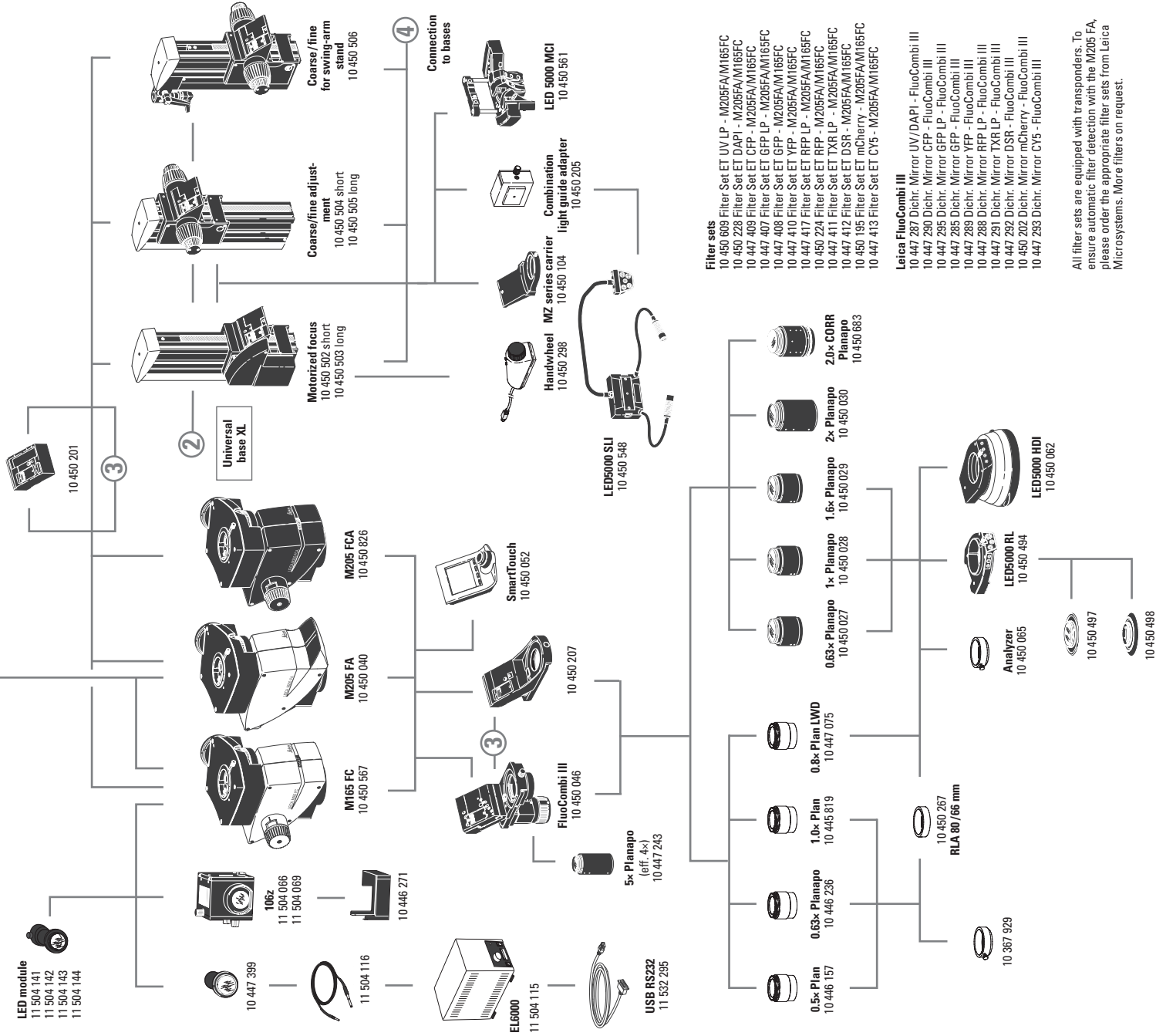
- 10 450 567 Leica M165 FC, 16.5:1 zoom, apochromatically corrected, TripleBeam, elect. encoded, integrated filter system, man. fluorescent light shutter, UV protection screen, man. double-iris diaphragm (coded)
- 10 450 040 Leica M205 FA, 20.5:1 zoom, apochromatically corrected, motorized, with FusionOptics and TripleBeam, motorized and electric encoded filter system, auto fluorescent light shutter, UV protection screen, motorized and electric double-iris diaphragm and FIM
- 10 450 207 Objective nosepiece for quickly changing between two objectives
- 10 450 201 Ergo-Intermediate adapter
- 10 450 046 FluoCombi III, parfocal, parcentric objective nosepiece for parallax-free documentation
- 10 450 104 Microscope carrier for MZ series optics carriers

Objectives and optical accessories

- 10 450 027 Planapochromatic objective 0.63x, working dist. 67 mm, Ø 80 mm
- 10 450 028 Planapochromatic objective 1.0x, working dist. 61.5 mm, Ø 80 mm
- 10 450 029 Planapochromatic objective 1.6x, working dist. 30.5 mm, Ø 80 mm
- 10 450 030 Planapochromatic objective 2x, working dist. 20.1 mm, Ø 85 mm
- 10 450 683 Planapochromatic objective 2.0x CORR, working dist. 20.1 mm, Ø 85 mm
- 10 447 243 5x planapochromatic objective, working dist. 19 mm
- Use only with FluoCombi III with factor 0.8 – 4x
- 10 446 157 Planachromatic objective 0.5x, working dist. 135 mm, Ø 66 mm
- 10 446 236 Planapochromatic objective 0.63x, working dist. 97 mm, Ø 66 mm
- 10 447 075 Planachromatic objective 0.8x, working dist. 112 mm, Ø 80 mm
- 10 445 819 Planachromatic objective 1x, working dist. 59 mm, Ø 66 mm
- 10 450 065 Analyzer in revolving mount, for planachromatic and planapochromatic Ø 80 mm
- 10 367 929 Analyzer in revolving mount for planachromatic and planapochromatic Ø 66 mm



LED module
11 504 141
11 504 142
11 504 143
11 504 144



Illumination

- 11 504 066 Lamp housing 106 z, Hg 50 W
- 11 504 069 Lamp housing 106 z, Hg 100 W
- 10 446 271 Stray-light protection for lamp housing 105 z and 106 z
- 11 504 115 Light source for EL6000
- 11 504 116 Light guide for EL6000
- 10 447 399 Light guide coupling 11 504 116 for EL6000
- 11 532 295 RS232 USB interface cable
- 11 504 141 LED module 365 nm
- 11 504 142 LED module 470 nm
- 11 504 143 LED module 530 nm
- 11 504 144 LED module 590 nm
- 10 450 494 LED5000 RL-80/40 – ring illuminator, for Ø 80 mm objectives, 40 LEDs
- 10 450 497 Polarization set for Leica LED5000 RL-80/40
- 10 450 498 Diffuser for Leica LED5000 RL-80/40
- 10 450 267 RLA 80/66 Ring illuminator adapter for LED5000 RL for objectives with Ø 66 mm
- 10 450 548 LED5000 SLI, spotlight illumination, double-armed gooseneck 500 mm long, 2 power LEDs, 5,600 K color temperature,
- 10 450 561 LED5000 MCI, multi contrast illumination with 9 power LEDs
- 10 450 062 LED5000 HDI, diffuse illumination, FlexiDome, for highly reflective specimens
- 10 450 205 Combination light guide-adapter to focusing columns for LED5000 SLI
- 10 450 266 Power supply for LED3000/LED5000

Focusing drive

- 10 450 504 Coarse/fine focusing drive with profile column 420 mm
- 10 450 505 Coarse/fine focusing drive with profile column 620 mm
- 10 450 502 Motorized focus with profile column 420 mm
- 10 450 503 Motorized focus with profile column 620 mm
- 10 450 506 Focusing drive coarse/fine for swing-arm stand

Controls

- 11 505 180 Leica Smart Move control unit for Leica IsoPro motorized cross-stage
- 10 447 444 Leica PSC control unit for Leica IsoPro motorized mechanical stage
- 10 450 052 SmartTouch, external control unit with integrated touchscreen for status control and control of all settings and functions
- 10 450 298 Manual controller for motorized focus
- 10 447 398 Footswitch for motorized stereomicroscopes

Incident-light and transmitted-light bases

- 10 450 049 Incident-light base
- 10 450 123 Transmitted light base TL3000 ST with bright field (HF) and single-sided dark field (DF)
- 10 447 400 Daylight filter for TL3000 ST base
- 10 450 124 Transmitted light base TL4000 BFDF for external cold-light sources with HF and circular DF
- 10 450 125 Transmitted light base TL4000 RC for external cold-light sources with HF, single-sided DF and Rottermann Contrast (RC)
- 10 450 126 Transmitted light base TL4000 RCI with HF, DF, RC

Filter sets

- 10 450 609 Filter Set ET UV LP - M205FA/M165FC
- 10 450 228 Filter Set ET DAPI - M205FA/M165FC
- 10 447 409 Filter Set ET CEP - M205FA/M165FC
- 10 447 407 Filter Set ET GFP LP - M205FA/M165FC
- 10 447 408 Filter Set ET GFP - M205FA/M165FC
- 10 447 410 Filter Set ET YFP LP - M205FA/M165FC
- 10 447 417 Filter Set ET RFP LP - M205FA/M165FC
- 10 450 224 Filter Set ET RFP - M205FA/M165FC
- 10 447 411 Filter Set ET TXR LP - M205FA/M165FC
- 10 447 412 Filter Set ET DSR - M205FA/M165FC
- 10 450 195 Filter Set ET mCherry - M205FA/M165FC
- 10 447 413 Filter Set ET CY5 - M205FA/M165FC

Leica FluCombi III

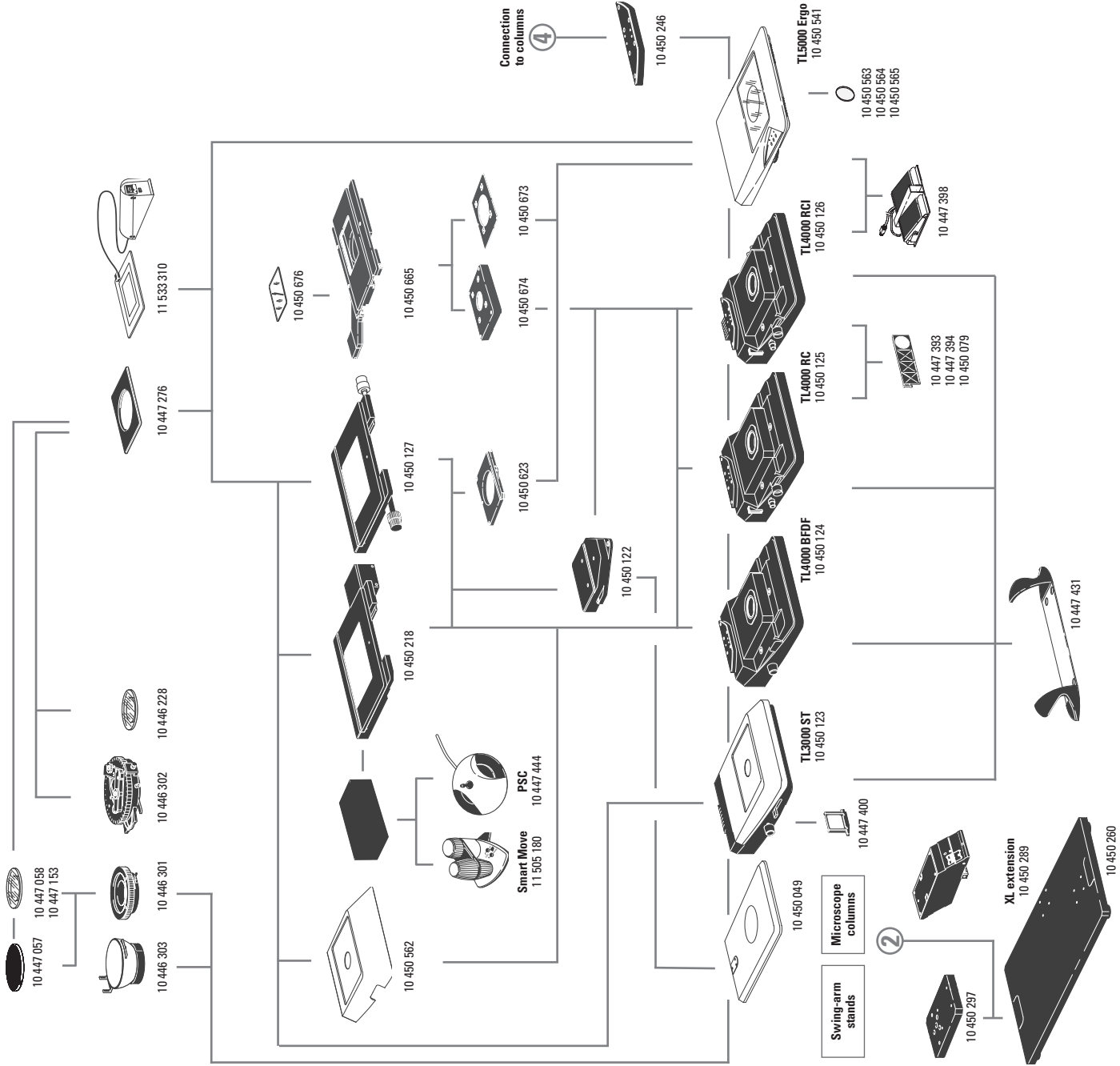
- 10 447 287 Dichr. Mirror UV/DAPI - FluCombi III
- 10 447 290 Dichr. Mirror GFP - FluCombi III
- 10 447 295 Dichr. Mirror GFP LP - FluCombi III
- 10 447 288 Dichr. Mirror YFP - FluCombi III
- 10 447 289 Dichr. Mirror RFP LP - FluCombi III
- 10 447 291 Dichr. Mirror TXR LP - FluCombi III
- 10 447 292 Dichr. Mirror DSR - FluCombi III
- 10 447 293 Dichr. Mirror mCherry - FluCombi III
- 10 447 293 Dichr. Mirror CY5 - FluCombi III

All filter sets are equipped with transponders. To ensure automatic filter detection with the M205 FA, please order the appropriate filter sets from Leica Microsystems. More filters on request.

- 10 447 393 Filter ND (gray filter) for base TL4000 RC/RCI
- 10 447 394 BG38 filter for base TL4000 RC/RCI
- 10 450 079 Daylight filter for base TL4000 RCI
- 10 450 541 Transmitted light base TL5000 Ergo with integrated LED illumination, automatic contrasting, HF, double-sided DF and RC
- 10 450 563 Milk-glass filter for base TL5000 Ergo
- 10 450 564 Green filter for base TL5000 Ergo
- 10 450 565 Polarization filter for base TL5000 Ergo
- 10 450 246 Fluo adapter plate between column and transmitted light base
- 10 450 260 Universal base XL for specimens up to 300 × 300 mm
- 10 450 297 Adapter for base 10 450 260 for all swinging-arm columns
- 10 450 289 XL extension – for positioning Leica stereomicroscopes on universal base 10 450 260
- 10 447 431 Leica ErgoRest handrest for fatigue-free working

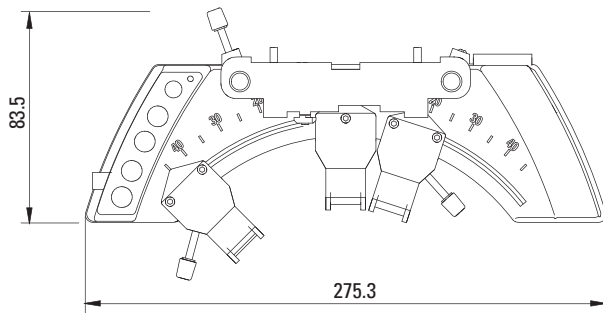
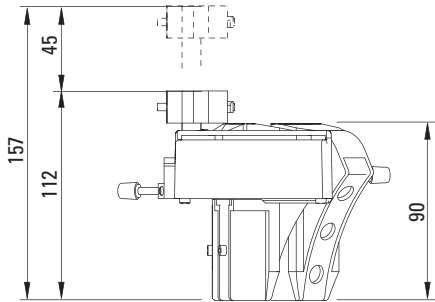
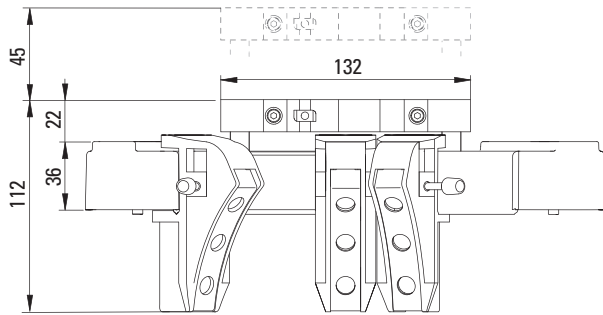
Stages

- 10 450 562 Standard stage for transmitted light bases TL4000 BDFD, TL4000 RC and TL4000 RCI
- 10 450 665 Scanning stage with linear motors and absolute measuring system
- 10 450 673 Stage Adapter for TL5000 Ergo
- 10 450 674 Stage Adapter for TL4000 Series
- 10 450 676 glass insert for scanning stage 10 450 665
- 10 450 127 Leica IsoPro Manual Cross Stage for transmitted light bases TL4000 BDFD, TL4000 RC, TL4000 RCI and incident light base (with adapter 10 450 122)
- 10 450 218 Leica IsoPro Motorized Cross-stage for transmitted light bases TL4000 BDFD, TL4000 RC, TL4000 RCI and incident light base (with adapter 10 450 122)
- 10 450 122 Adapter between cross-stage and incident-light base 10 450 049
- 10 450 623 Adapter between cross-stages 10 450 218 / 10 450 127 and TL5000 Ergo
- 11 533 310 Leica TPX TL heating stage insert with control unit for TL bases
- 10 447 276 Adapter for stages with Ø 120 mm
- 10 446 301 Gliding stage, Ø 120 mm
- 10 447 153 Glass plate matte, Ø 120 mm
- 10 450 057 Stage plate black/white, Ø 120 mm
- 10 450 058 Stage plate b/w for TL bases, Ø 120 mm
- 10 446 302 Polarization stage, Ø 120 mm
- 10 382 130 Attachable mechanical stage for polarization stage
- 10 361 719 Red compensator 1 for Pol rotating stage
- 10 446 303 Cup stage, Ø 120 mm
- 33 000 600 Cup stage, Ø 120 mm, surface Ø 150 mm, revolving
- 10 446 228 Glass insert with Pol, Ø 120 mm
- 10 450 059 Additional buttons for IsoPro Manual Cross-stage

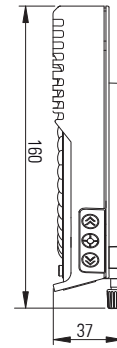
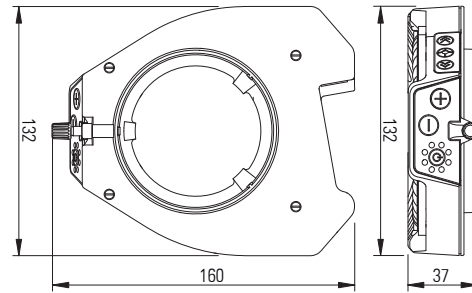


LED5000 MCI

Dimensions in mm



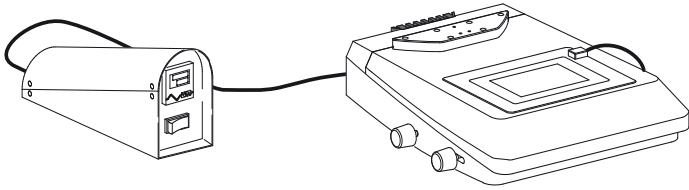
LED5000 RL



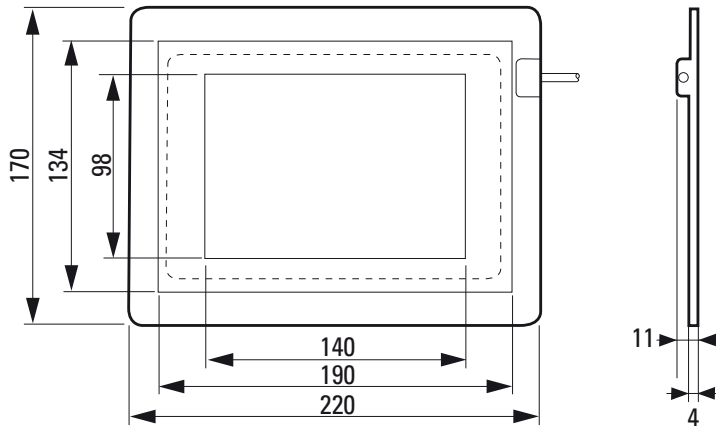
LEICA TPX TL HEATING STAGE

Dimensions and article numbers

Dimensions in mm

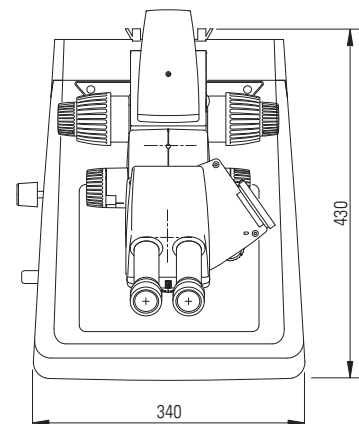
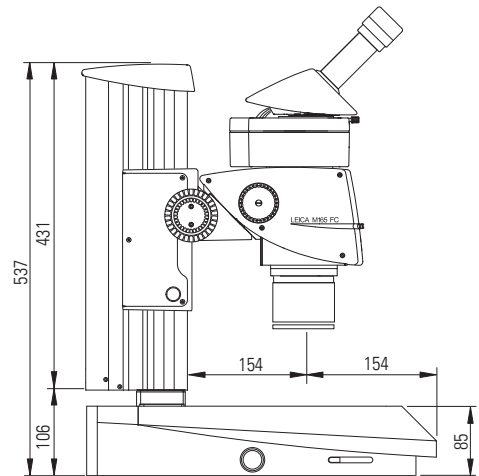
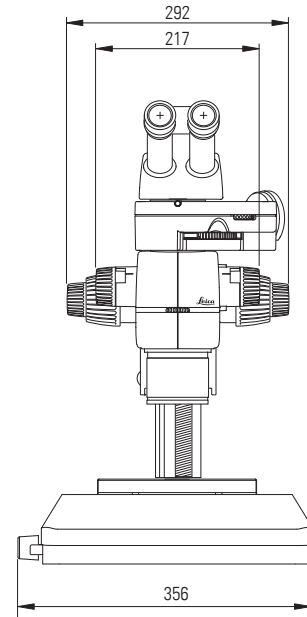


11 533 310 Heating stage for stereomicroscopes of the Leica M series with transmitted light bases TL3000 ST, TL4000 BDFD, TL4000 RC/RCI and TL5000 Ergo



LEICA M165 FC DIMENSIONS

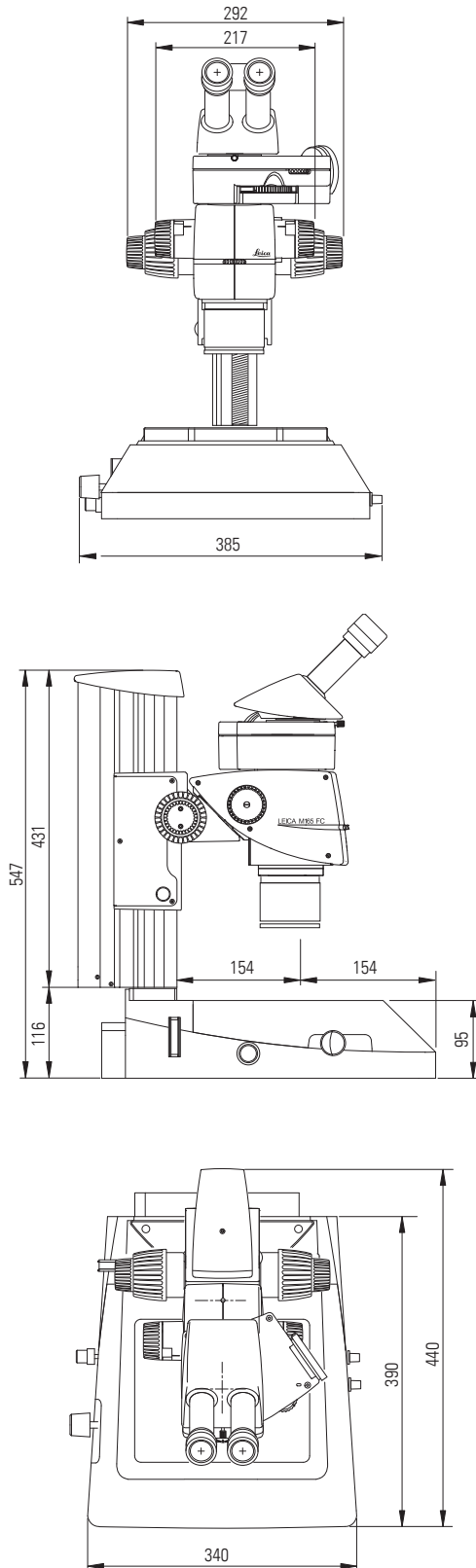
with TL3000 ST transmitted-light base and manual focus



LEICA M165 FC DIMENSIONS

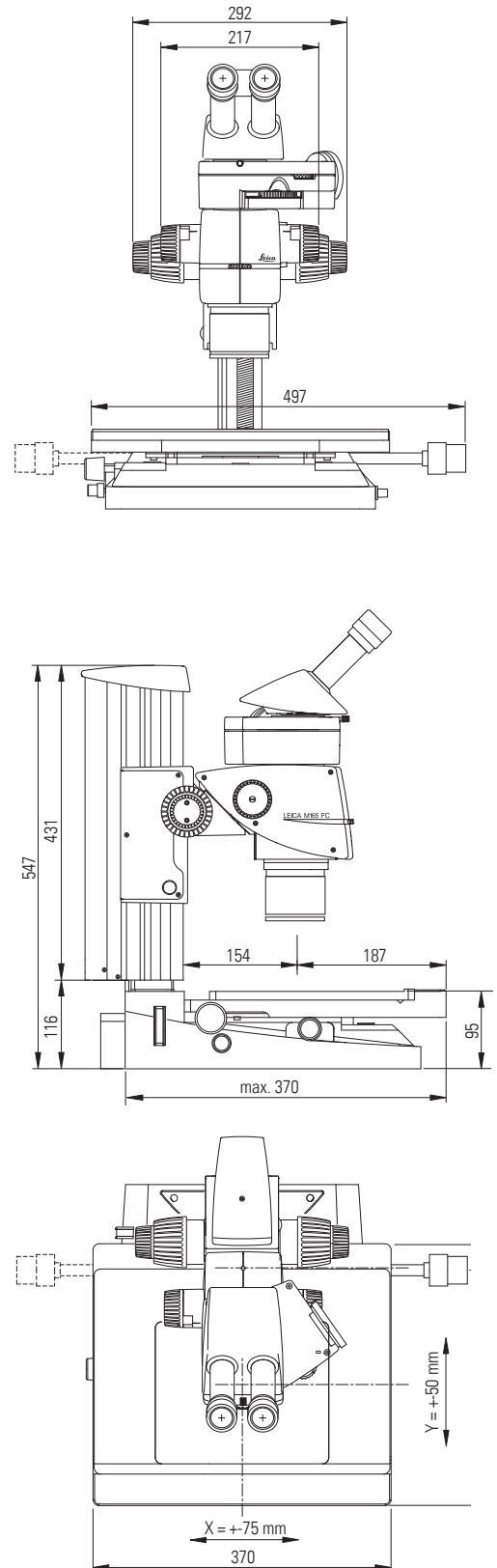
with transmitted light stand TL4000 RCI and manual focus

Dimensions in mm



LEICA M165 FC DIMENSIONS

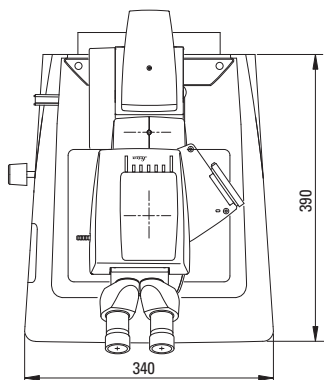
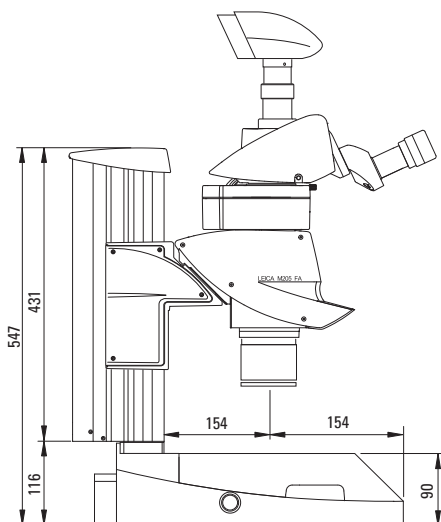
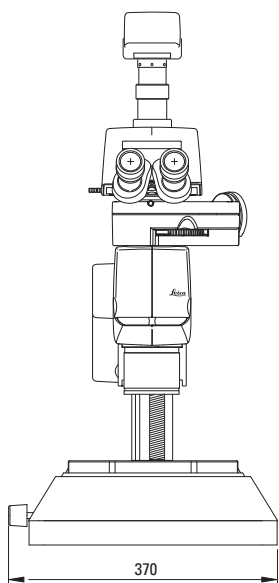
with TL RCI transmitted light stand, manual Leica IsoPro cross-stage and manual focusing drive



LEICA M205 FA DIMENSIONS

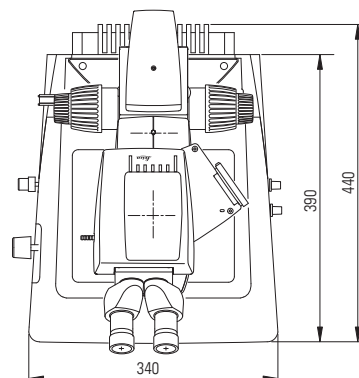
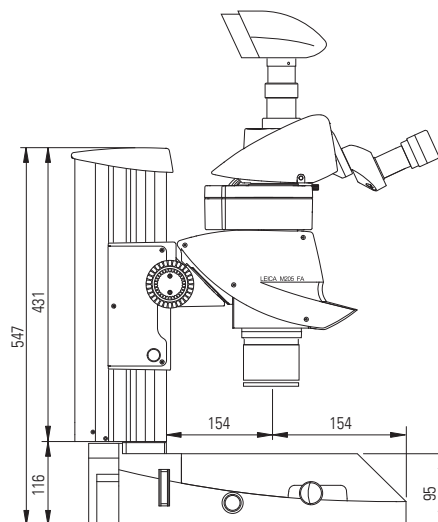
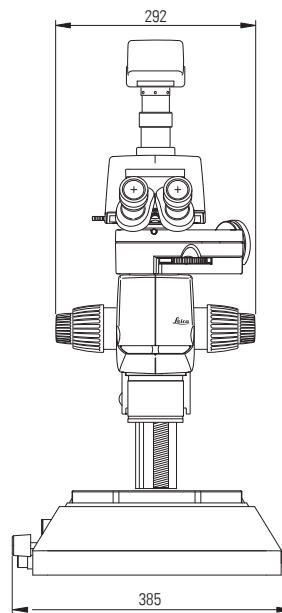
with transmitted light stand TL4000 BFDf, trinocular ErgoTube,
DFC camera and motorized focusing drive

Dimensions in mm



LEICA M205 FA DIMENSIONS

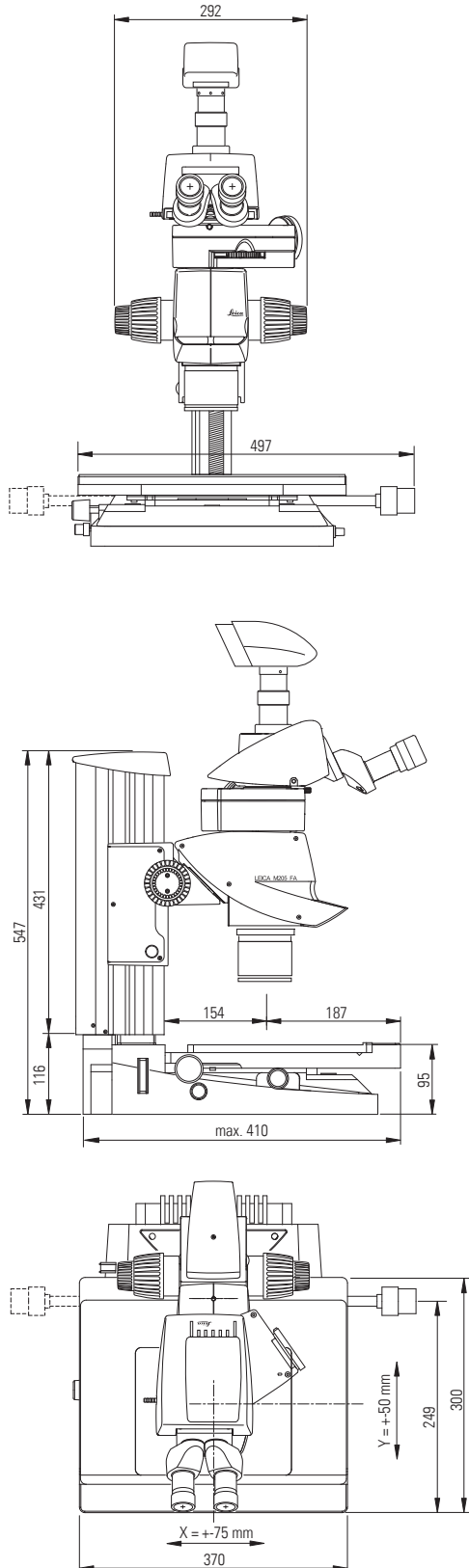
with transmitted light stand TL4000 RCI, trinocular ErgoTube,
DFC camera and motorized focusing drive



LEICA M205 FA DIMENSIONS

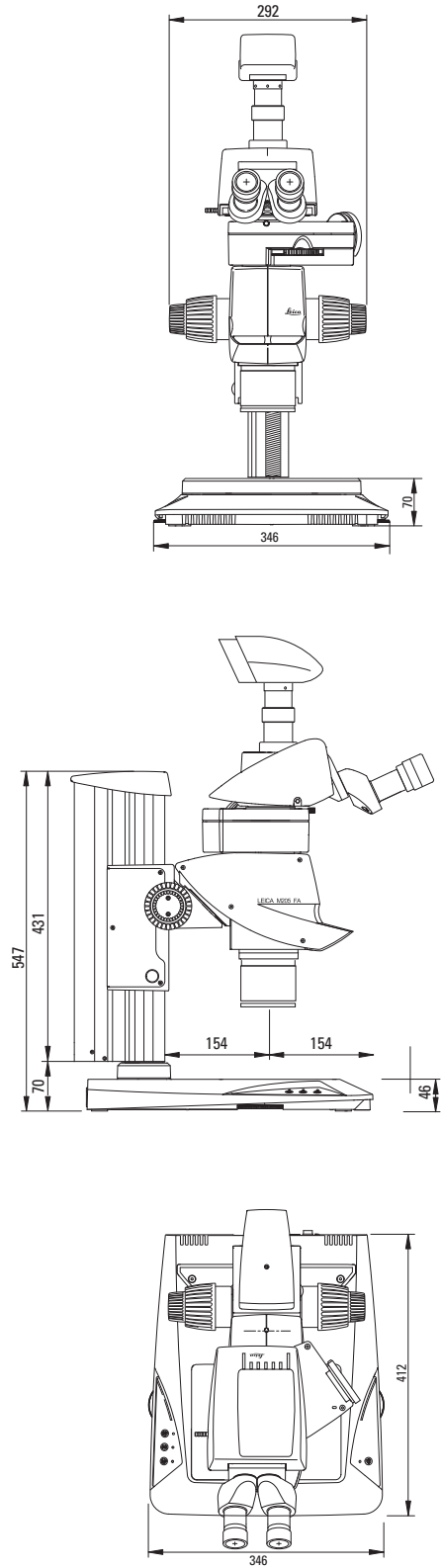
with transmitted light stand TL4000 RCI, IsoPro cross-stage, trinocular ErgoTube, DFC camera and mot. focusing drive

Dimensions in mm



LEICA M205 FA DIMENSIONS

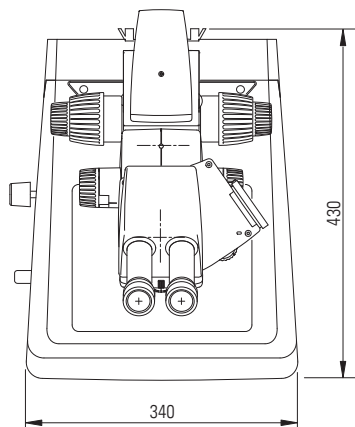
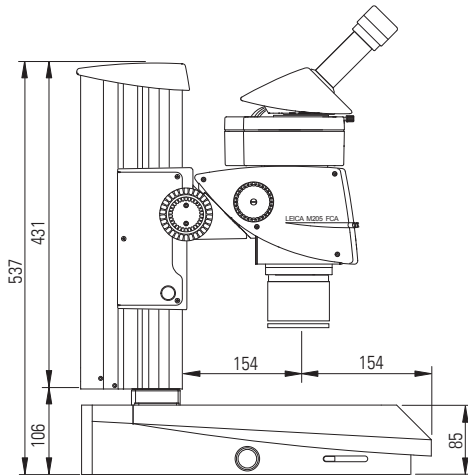
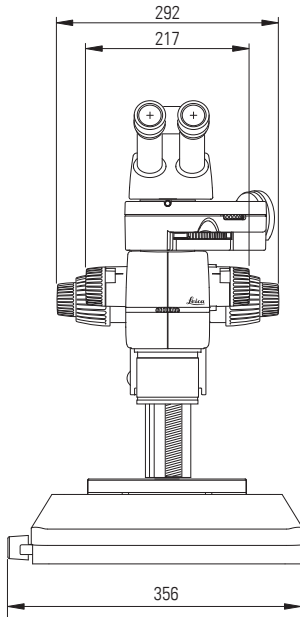
with transmitted light stand TL5000 Ergo, trinocular ErgoTube, DFC camera and man. focusing drive



LEICA M205 FCA DIMENSIONS

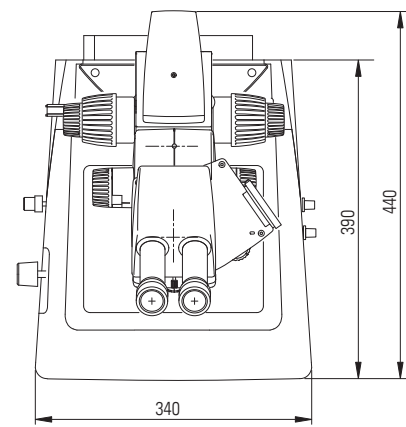
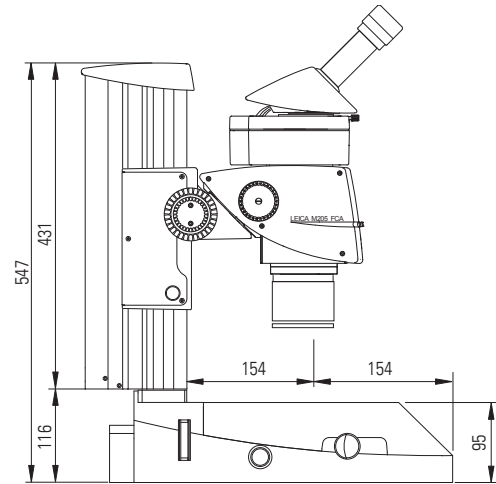
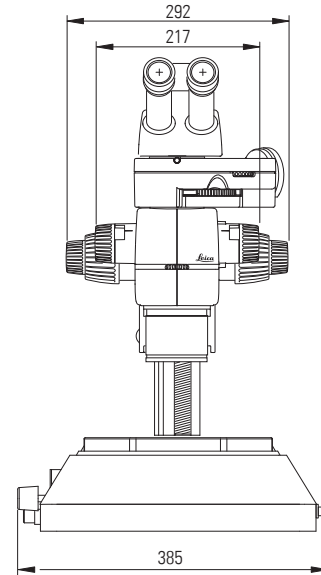
with TL3000 ST transmitted-light base and manual focus

Dimensions in mm



LEICA M205 FCA DIMENSIONS

with transmitted light stand TL4000 RCI and manual focus



LEICA M205 FCA DIMENSIONS

with TL RCI transmitted light stand, manual
Leica IsoPro cross-stage and manual focusing drive

Dimensions in mm

